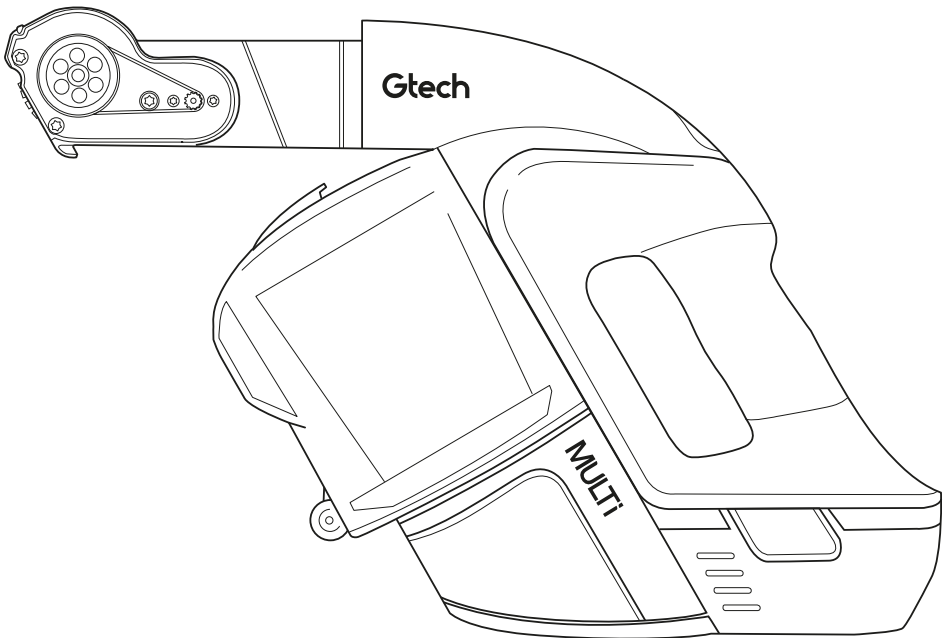


# Gtech MULTI Mk.2

Model number: ATF036



OPERATING MANUAL

# IMPORTANT SAFEGUARDS:



**IMPORTANT: READ ALL INSTRUCTIONS BEFORE USE. RETAIN INSTRUCTIONS FOR FUTURE REFERENCE.**



Do not use in rain or leave outdoors whilst raining.



**WARNING:** Basic safety precautions should always be observed when using an electrical appliance, including the following to reduce the risk of fire, electrical shock, or injury:

## Personal Safety:

- Store indoors in a dry place out of the reach of children.
- Always use responsibly. This appliance can be used by children aged from 8 years and above and persons with reduced physical, sensory or mental capabilities or lack of experience and knowledge if they have been given supervision or instruction concerning use of the appliance in a safe way and understand the hazards involved.
- Don't let children play with the appliance; supervise children using or maintaining the appliance.
- Use only manufacturer's recommended attachments as described in this manual; misuse or use of any accessory or attachment other than those recommended, may present a risk of personal injury.
- Take extra care when cleaning stairs.
- Keep the appliance and accessories away from hot surfaces.
- Do not block the appliances openings or hinder air flow; keep openings free of any objects including dust, lint, clothing, fingers (and all parts of the body).
- Particularly keep hair away from the brush bar and other moving parts.

## Electrical safety:

- Only use batteries and chargers supplied by Gtech.
- Never modify the charger in any way.
- The charger has been designed for a specific voltage. Always check that the mains voltage is the same as that stated on the rating plate.
- A charger that is suitable for one type of battery pack may create a risk of fire when used with another battery pack; never use the charger with another appliance or attempt to charge this product with another charger.
- Before use, check the charger cord for signs of damage or ageing. A damaged or entangled charger cord increases the risk of fire and electric shock.
- Do not abuse the charger cord.
- Never carry the charger by the cord.
- Do not pull the cord to disconnect from a socket; grasp the plug and pull to disconnect.
- Don't wrap the cord around the charger when storing.
- Keep the charger cord away from hot surfaces and sharp edges.
- The supply cord cannot be replaced. If the cord is damaged the charger should be discarded and replaced.
- Do not handle the charger or the appliance with wet hands.
- Do not store or charge the appliance outdoors.

- The charger must be removed from the socket before removing the battery, cleaning or maintaining the appliance.
- Ensure the appliance is off before connecting or disconnecting the motorised brush bar.

### **Battery safety:**

- This appliance includes Li-Ion batteries; **do not incinerate batteries or expose to high temperatures**, as they may explode.
- Liquid ejected from the battery may cause irritation or burns.
- In an emergency situation contact professional help immediately!
- Leaks from the battery cells can occur under extreme conditions. Do not touch any liquid that leaks from the battery. If the liquid gets on the skin wash immediately with soap and water. If the liquid gets into the eyes, flush them immediately with clean water for a minimum of 10 minutes and seek medical attention. Wear gloves to handle the battery and dispose of immediately in accordance with local regulations.
- Shorting the battery terminals may cause burns or fire.
- When the battery pack is not in use, keep it away from paper clips, coins, keys, nails, screws or other small metal objects that could make a connection from one terminal to another.
- When you dispose of the appliance remove the battery and dispose of the battery safely in accordance with local regulations.

### **Service:**

- Before using the appliance and after any impact, check for signs of wear or damage and repair as necessary.
- Do not use the appliance if any part is damaged or defective.
- Repairs should be carried out by a service agent or a suitably qualified

person in accordance with relevant safety regulations. Repairs by unqualified persons could be dangerous.

- Never modify the appliance in any way as this may increase the risk of personal injury.
- Only use replacement parts or accessories provided or recommended by Gtech.

### **Intended use:**

- This appliance has been designed for domestic dry vacuum cleaning only.
- Do not pick up liquids or use on wet surfaces.
- Do not pick up anything that is flammable, burning or smoking.
- Use only as described in this manual.
- Don't use on concrete, tarmac or other rough surfaces.
- The brush bar may damage certain surfaces. Before vacuuming flooring, upholstery, rugs, carpets or any other surfaces, check the manufacturer's recommended cleaning instructions.
- May damage delicate fabrics or upholstery. Care should be taken on loose-weave fabrics or where there are loose threads. If in doubt please test on an inconspicuous area first.
- The Multi has a constantly rotating brush bar. Never leave the Power Brush in one spot for an extended period of time as this may damage the area being cleaned.

### **WARNING:**

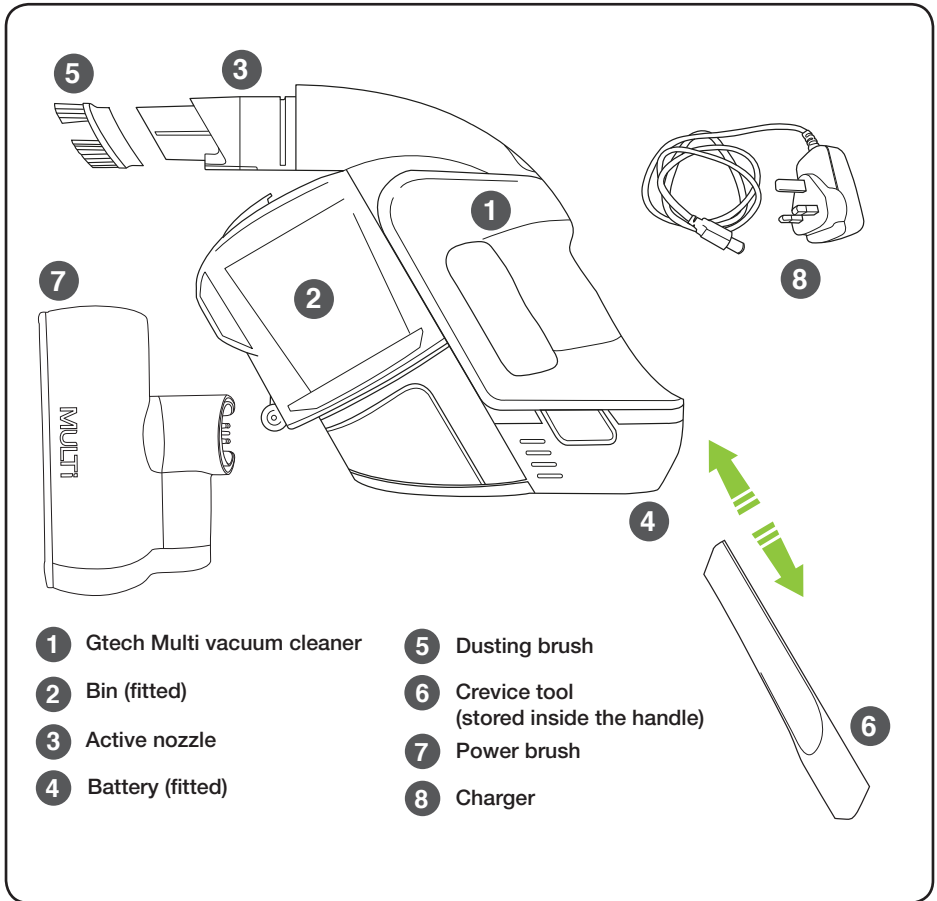
- **Do not use water, solvents, or polishes to clean the outside of the appliance; wipe clean with a dry cloth.**
- **Never immerse the unit in water and do not clean in a dish washer.**
- **Never use the appliance without the filter fitted.**
- **Ensure the battery is removed before changing tools.**

# Thank you for choosing a Gtech Multi

"I started Gtech to create sensible, easy to use products, which do a great job. Your opinion is important to us. Please take the time to write a review of the Multi either on the website of the store you bought it from or by emailing us at support@gtech.co.uk. We will use your feedback to improve our products and services and let other people know what it's like to be part of the Gtech family."

Nick Grey – Inventor, Owner of Gtech

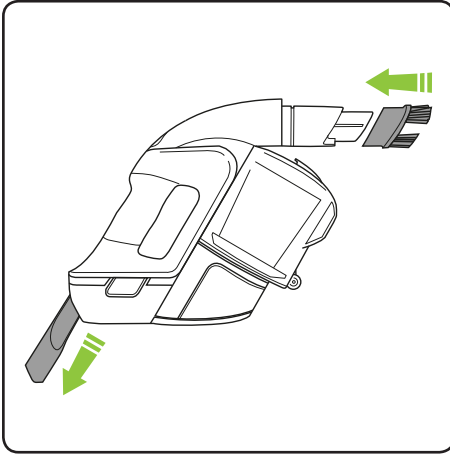
## What's in the box



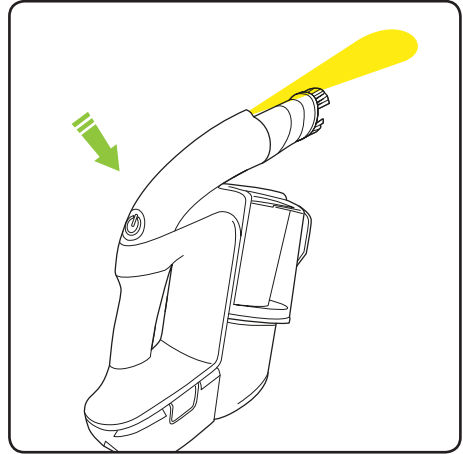
## PRODUCT SERIAL NUMBER:

You can find this on the underside of your product

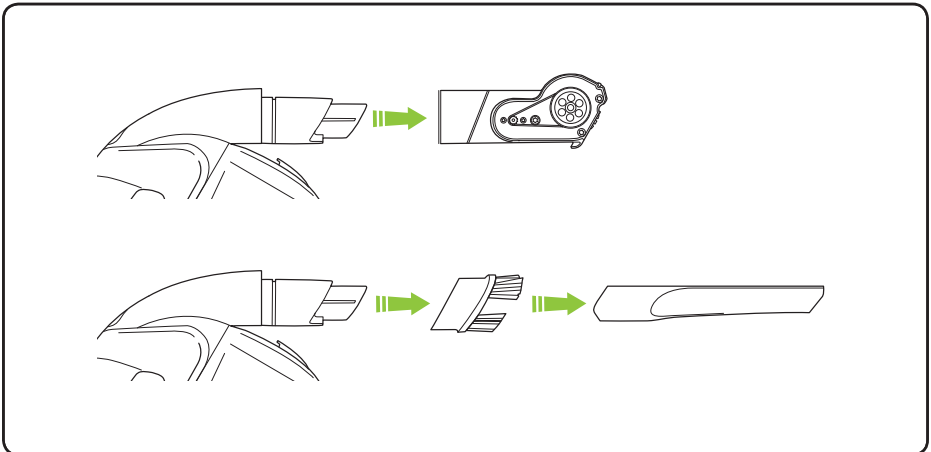
## Operation



The dusting brush can be slotted onto the active nozzle. The crevice tool is stored on board the product for easy access.

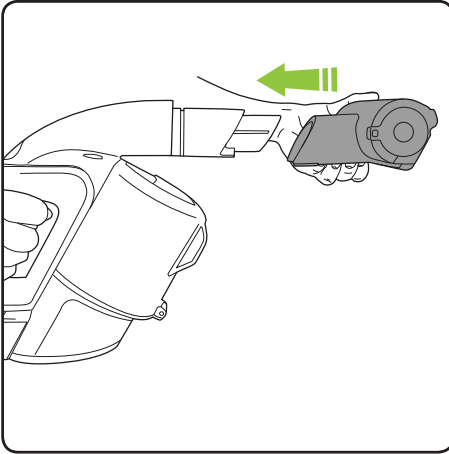


Press the button above the handle to turn the Multi on and off.

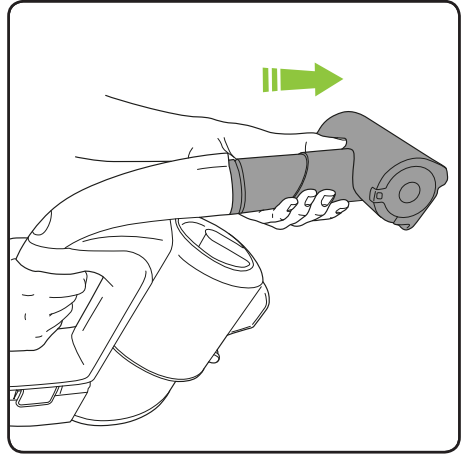


An active nozzle is built into your Multi. The dusting brush, crevice tool, and power brush all attach to the active nozzle.

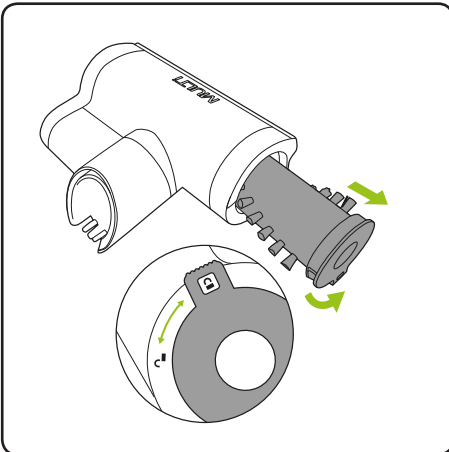
## Power brush



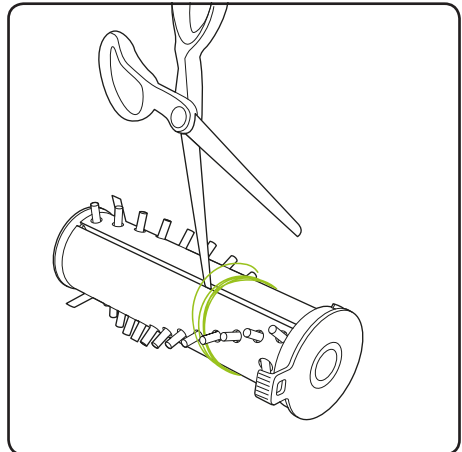
Make sure the terminals on the Power Brush and Active nozzle are correctly lined up and gently push the Power brush onto the Active nozzle. The battery should be removed when changing attachments.



Gently pull the Power Brush from the Multi to remove. The battery should be removed when changing attachments.



To clean the brush bar, first remove the power brush. Rotate the latch from the lock to the unlock position and pull out the brush bar.

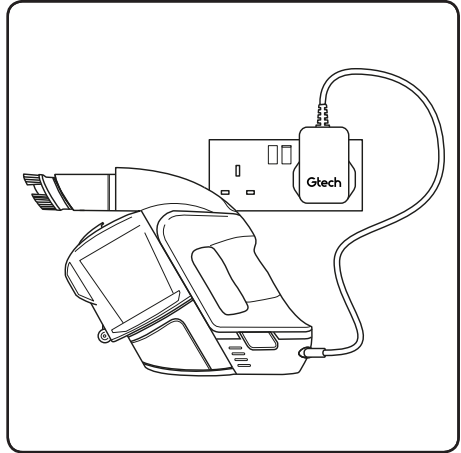


To remove hair from the brush bar, run an open pair of scissors down the groove to cut the hair, then pull it out. Never operate the power brush without the brush bar in.

## Battery charging



When a single green light flashes, recharge the battery.



The battery can be charged on or off the main unit



After 4 hours, the LEDs turn solid green and charging is complete.

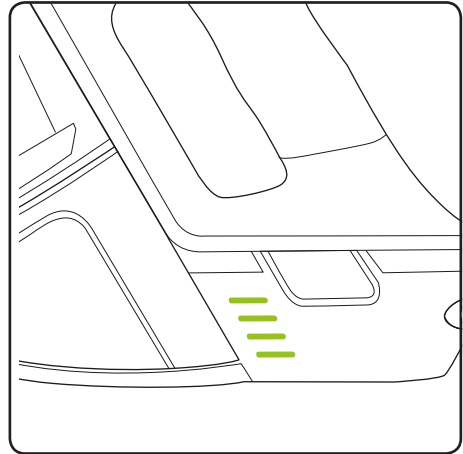


It is OK to charge for 1 hour for a burst of cleaning.

## State of Charge



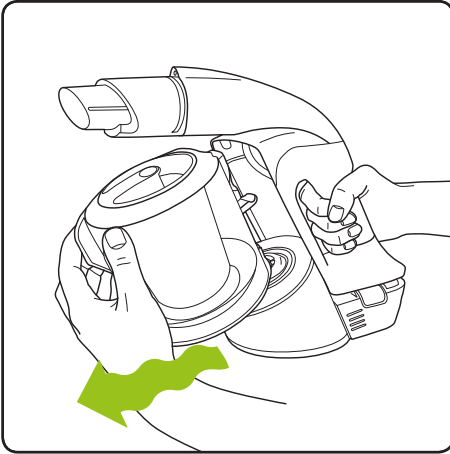
The battery state of charge indicator shows how much charge the Multi has. As you use the product, the green lights will turn off in a downwards direction.



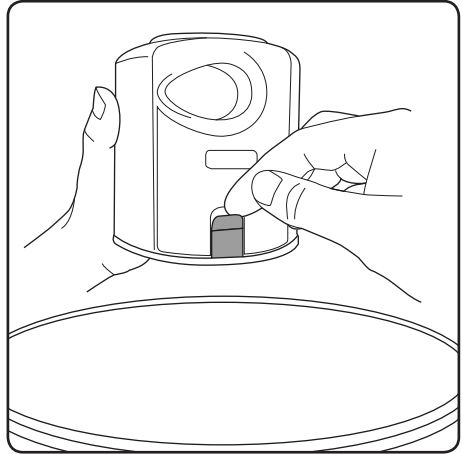
While the battery is on charge, the LEDs will pulsate and in turn illuminate. When the battery is fully charged all of the LEDs will be solid green.



## Emptying the bin

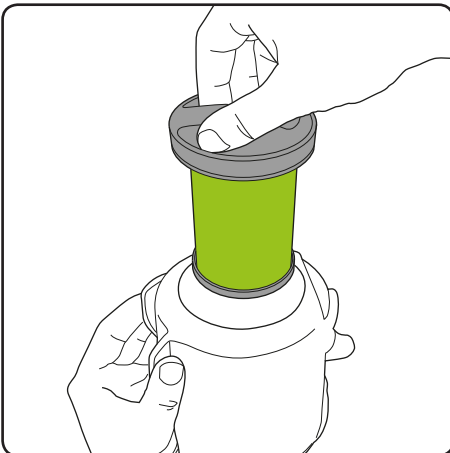


There's no latch, the bin just pulls off. It's easier if you wiggle it as you pull it.

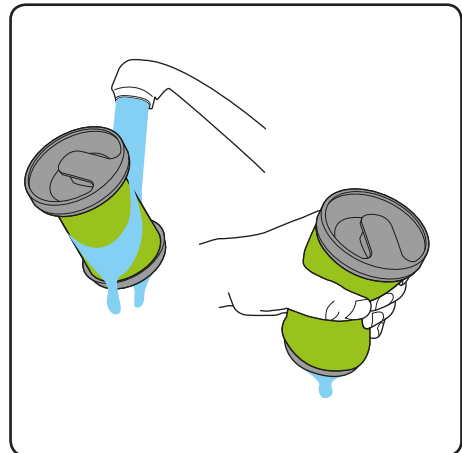


Hold the Multi's bin over a rubbish bin and release the latch. A gentle tap will help. Remove the filter and tap off the excess debris each time you empty the bin.

## Cleaning the filter



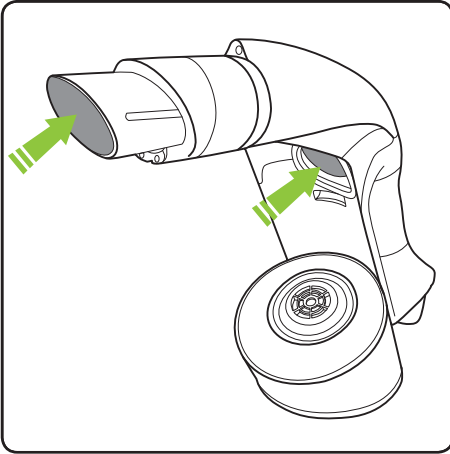
Remove the filter by pulling it from the top of the bin. Tap the dirt from the filter and tap any dirt from the filter housing. Wash the filter if necessary.



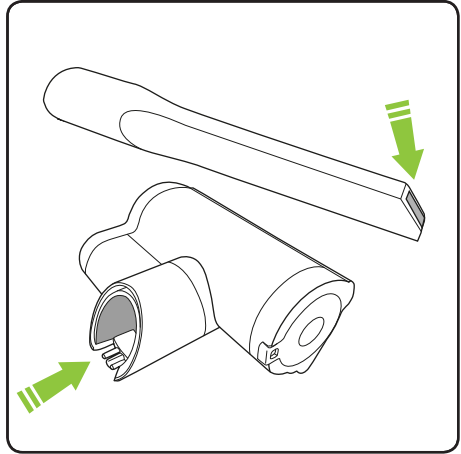
Wash the filter under a tap, squeeze it out then let it **dry completely** before using it. Recommended water temp 40°C do not use any detergent. (You can buy more at [www.gtech.co.uk](http://www.gtech.co.uk))

**Never put the bin back without the filter inside. You could damage the motor.**

If the suction is low when the bin is empty and filter is clean... you have a blockage.

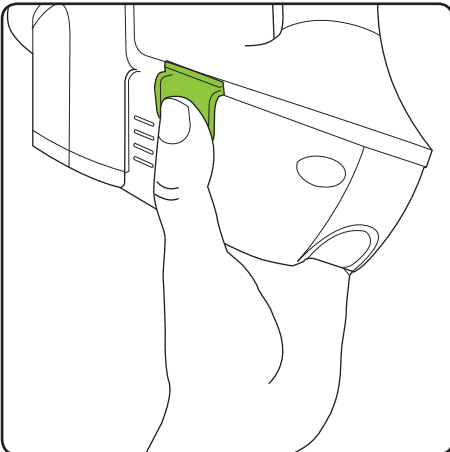


Remove the battery & bin and look through both ends of the tube. Remove any blockages.



The tools can block too, sometimes.

## Removing the battery



Press the green buttons and pull to remove the battery. The battery can be charged on or off the main unit. If you want to buy a spare battery go to [www.gtech.co.uk](http://www.gtech.co.uk) or call **01905 345891**

## Product Care

Your Gtech Multi doesn't need much maintenance: keep the filter clean, check for blockages, remove hair from the brushbar and charge the battery. Wipe it with a dry cloth if it gets dirty, including the area under the bin. Never wash it with liquid, run it under a tap or use it without the filter.

## Troubleshooting

Multi is not cleaning well	<ol style="list-style-type: none"><li>1. Empty the bin</li><li>2. Clean the holes in the filter housing</li><li>3. Wash the filter</li><li>4. Check for blockages</li><li>5. Remove hair from brushbar</li></ol>
Multi has stopped or won't work	<ol style="list-style-type: none"><li>6. Charge the battery (check the socket works and is turned on)</li><li>7. It might be blocked – check items 1 to 4 above</li></ol>
4 Red lights displayed on battery	<ol style="list-style-type: none"><li>8. Brush bar jammed.</li><li>9. Turn off Multi, remove the battery and clear the blockage.</li></ol>
If this doesn't solve your problem don't worry, we will help. Go to <b><a href="http://www.gtech.co.uk/support">www.gtech.co.uk/support</a></b> or call <b>01905 345 891</b>	

## GTECH MULTI TECHNICAL SPECIFICATION

Battery model	113A1003
Battery	22V 2000mAh Li-Ion
Charging period	4 hours
Battery charger output	27V DC 500mA
Weight (with standard nozzle)	1.5kg

## WARRANTY – TERMS AND CONDITIONS

---

If your Gtech Multi breaks during the first 2 years, don't worry, we will mend it for you.

Go to [www.gtech.co.uk/support](http://www.gtech.co.uk/support) or call 01905 345 891 for assistance.


### WHAT ISN'T COVERED

Gtech does not guarantee the repair or replacement of a product as a result of:

- Normal wear and tear (e.g. filters & brush bar)
- Accidental damage, faults caused by negligent use or care, misuse, neglect, careless operation or handling of the vacuum cleaner which is not in accordance with Gtech Multi operating manual.
- Blockages - please refer to the Gtech Multi operating manual for details of how to unblock your vacuum cleaner.
- Use of the vacuum cleaner for anything other than the normal domestic household purposes.
- Use of parts and accessories which are not Gtech genuine components.
- Repairs or alterations carried out by parties other than Gtech or its authorised agents.
- If you are in doubt as to what is covered by your guarantee, please call the Gtech Customer Care Helpline on 01905 345 891.

### SUMMARY

- The guarantee becomes effective at the date of purchase (or the date of delivery if this is later).
- You must provide proof of delivery/purchase before any work can be carried out on the vacuum cleaner. Without this proof, any work carried out will be chargeable. Please keep your receipt or delivery note.
- All work will be carried out by Gtech or its authorised agents.
- Any parts which are replaced will become the property of Gtech.
- The repair or replacement of your vacuum cleaner is under guarantee and will not extend the period of guarantee.

The  symbol indicates that this product is covered by legislation for waste electrical and electronic products (EN2002/96/EC)

When the vacuum has reached the end of its life, it and the Li-Ion battery it contains should not be disposed of with general household waste. The battery should be removed from the vacuum and both should be disposed of properly at a recognised recycling facility.

Call your local council, via amenity site, or recycling centre for information on the disposal and recycling of electrical products. Alternatively visit [www.recycle-more.co.uk](http://www.recycle-more.co.uk) for advice on recycling and to find your nearest recycling facilities.

**FOR HOUSEHOLD USE ONLY**



## Notes

## Notes

## Notes



**Grey Technology Limited**

Brindley Road, Warndon, Worcester WR4 9FB

email: [support@gtech.co.uk](mailto:support@gtech.co.uk)

telephone: 01905 345891

[www.gtech.co.uk](http://www.gtech.co.uk)